

(2 PLY) mortairvent®

3 LAYERS OF STUCCO

SHEATHING

WEATHER RESISTANT BARRIER

METAL LATH/ SCRATCH COAT

ENTANGLED POLYMER MATRIX

MORTAR DEFLECTION FABRIC

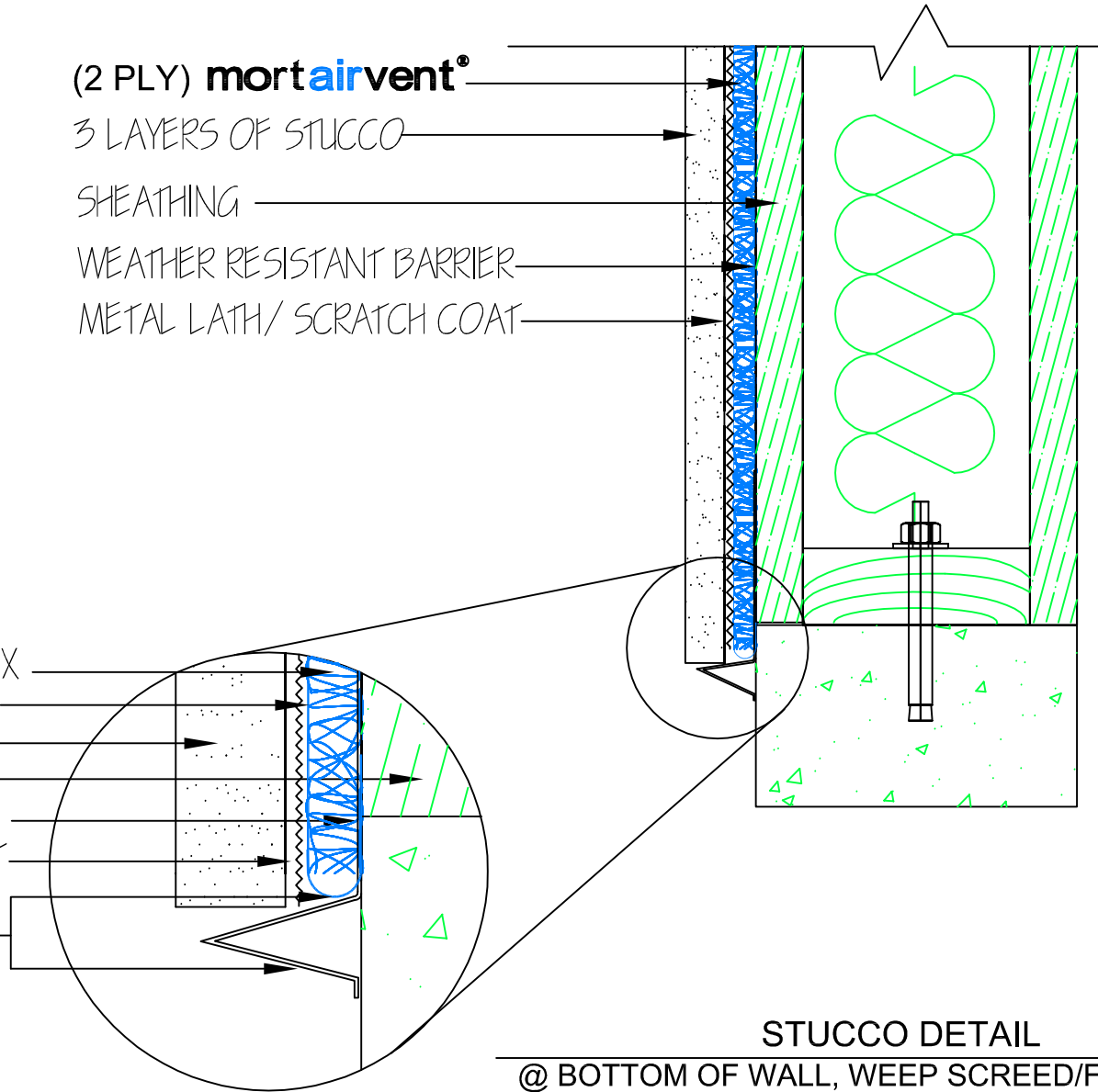
3 LAYERS OF STUCCO

SHEATHING

WEATHER RESISTANT BARRIER

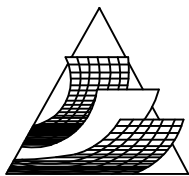
METAL LATH/ SCRATCH COAT

WEEP SCREED / 4" FABRIC FOLD



STUCCO DETAIL

@ BOTTOM OF WALL, WEEP SCREED/FABRIC FOLD



ADVANCED BUILDING PRODUCTS, INC.
 P.O. BOX 98
 SPRINGVALE, ME 04083

PHONE: 1-800-252-2306 FAX: 1-207-490-2998
 WWW.ADVANCEDFLASHING.COM

PRODUCT NAME: **mortairvent**®

NOTE: **mortairvent**® MATRIX (BLUE) SHOULD BE INSTALLED FACING THE WEATHER RESISTANT BARRIER, WITH THE MORTAR DEFLECTION FABRIC AGAINST THE METAL LATH FABRIC (FACING THE EXTERIOR WALL).

DRAWING NO:
 MV-STUCCO-BW3